

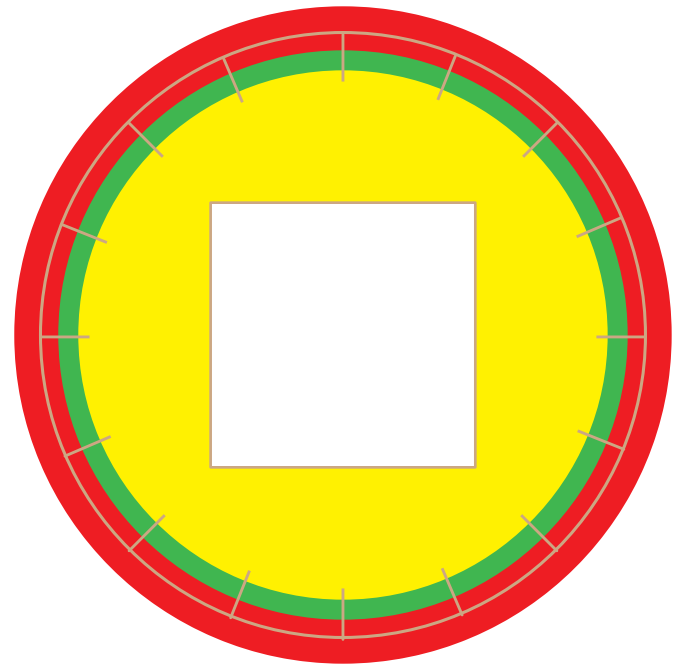
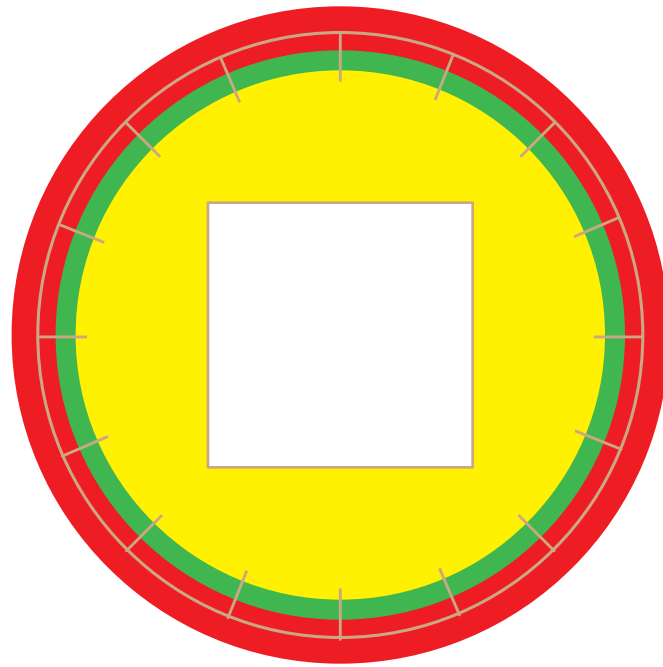
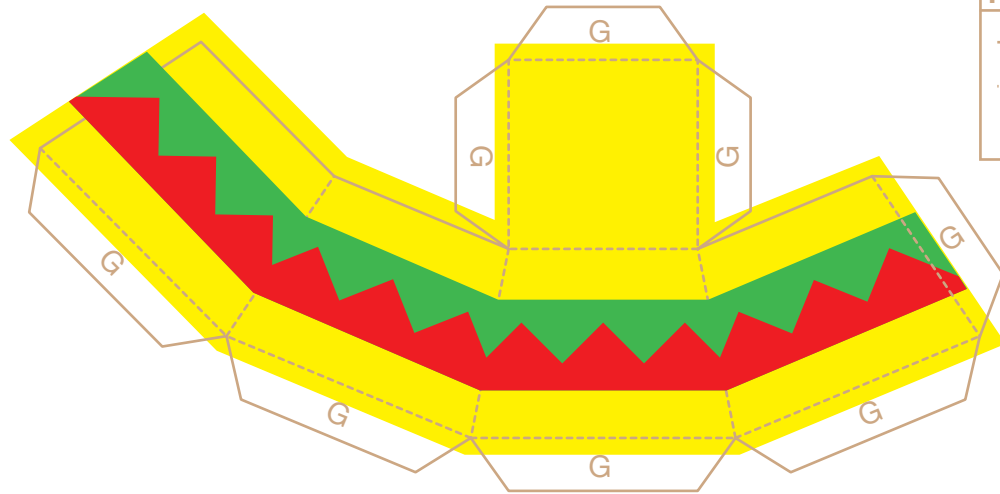
HAWKIN'S BAZAAR

MAKE YOUR OWN

SPACE HOPPER SOMBRERO

WWW.HAWKIN.COM
/MAKE-A-SPACE-HOPPER

KEY	
	CUT
	FOLD
G	GLUE



- Follow the key to cut and fold all of the lines except for the slits around the brim of the hat.
- Glue and stick the top of the sombrero together first.
- Place one of the rings over the top of the hat and glue it to the tabs.
- Glue the second ring to the base so that the design is printed on both sides.
- Cut the slits around the brim of the hat and fold them up.
- Place the sombrero on the top of your hopper and you are done!

SHARE PHOTOS OF YOUR HOPPER
AT [FACEBOOK.COM/HAWKINSBAZAAR](https://www.facebook.com/HAWKINSBAZAAR)
OR [TWITTER.COM/HAWKINSBAZAAR](https://www.twitter.com/HAWKINSBAZAAR)

#MAKEAHOPPER